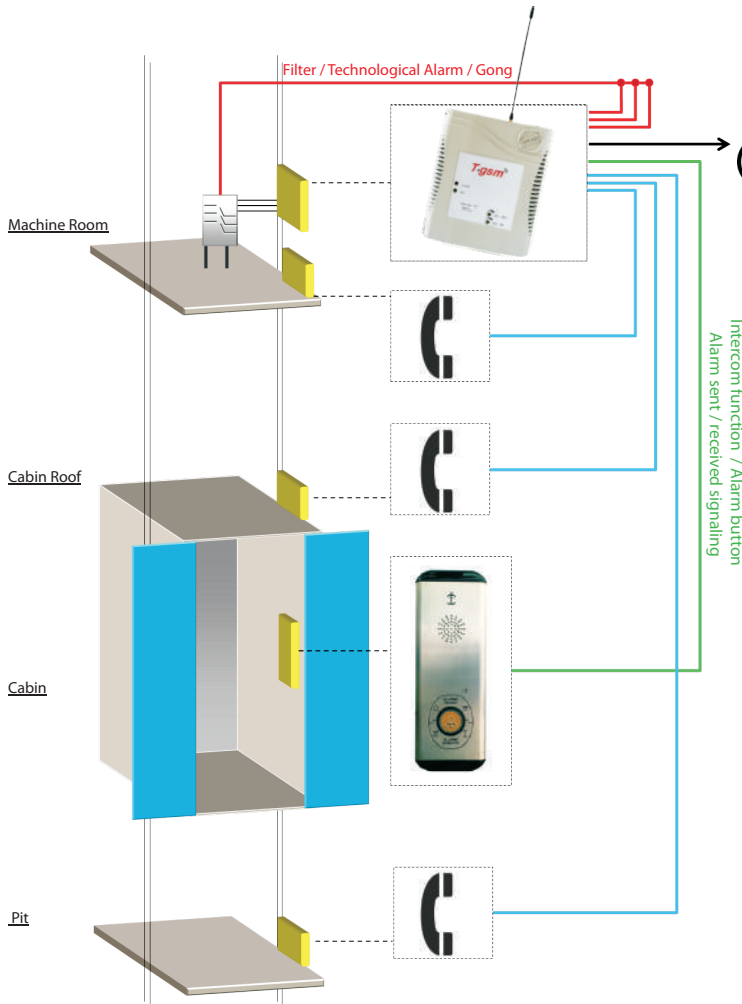


T.gsm

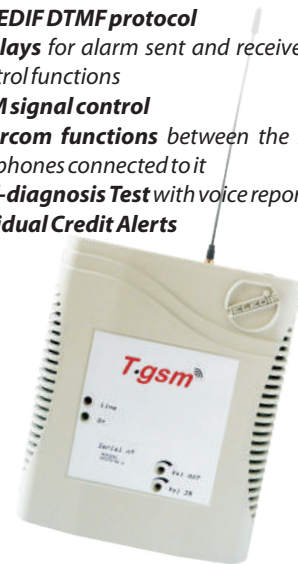
Lift Emergency Telephone System with an integrated GSM module

T.gsm is a lift emergency telephone system with an integrated GSM module. It is a technological and advanced solution, easy install and program; it is compatible with communication protocols of most of call centers.

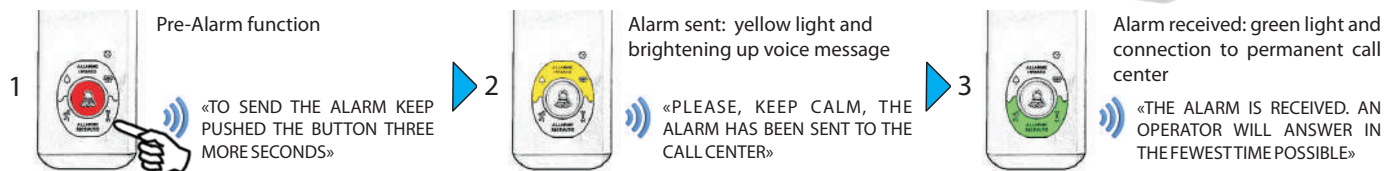


SPECIFICATIONS:

- **Standard speakerphones** and telephone terminals supported
- **3 independent telephones** for maintainers alarm (Machine Room, Top of the cabin, Pit)
- **1 Input** programmable as Filter or Auxiliary Alarms
- **2 technological input** programmable as Auxiliary Alarms or for GONG in the cabin
- **Voice guide messages**, programming help messages and data verification messages, also multilanguages
- **Local and remote programming**
- **Programming by SMS**
- **Test 72h** programmable and on demand
- **5 telephone numbers to call** for car and maintainers alarm
- **7 telephone numbers to call** for: End of Alarm, TEST calls, Battery Alarm, Auxiliary Alarm, Technological Alarm, Low Credit and SIM expiration
- **Sending alarms** and reports in Voice, CLI or SMS modalities
- **TELEDIF DTMF protocol**
- **2 relays** for alarm sent and received or for remote control functions
- **GSM signal control**
- **Intercom functions** between the system and the telephones connected to it
- **Self-diagnosis Test** with voice reports
- **Residual Credit Alerts**



HOW IT WORKS

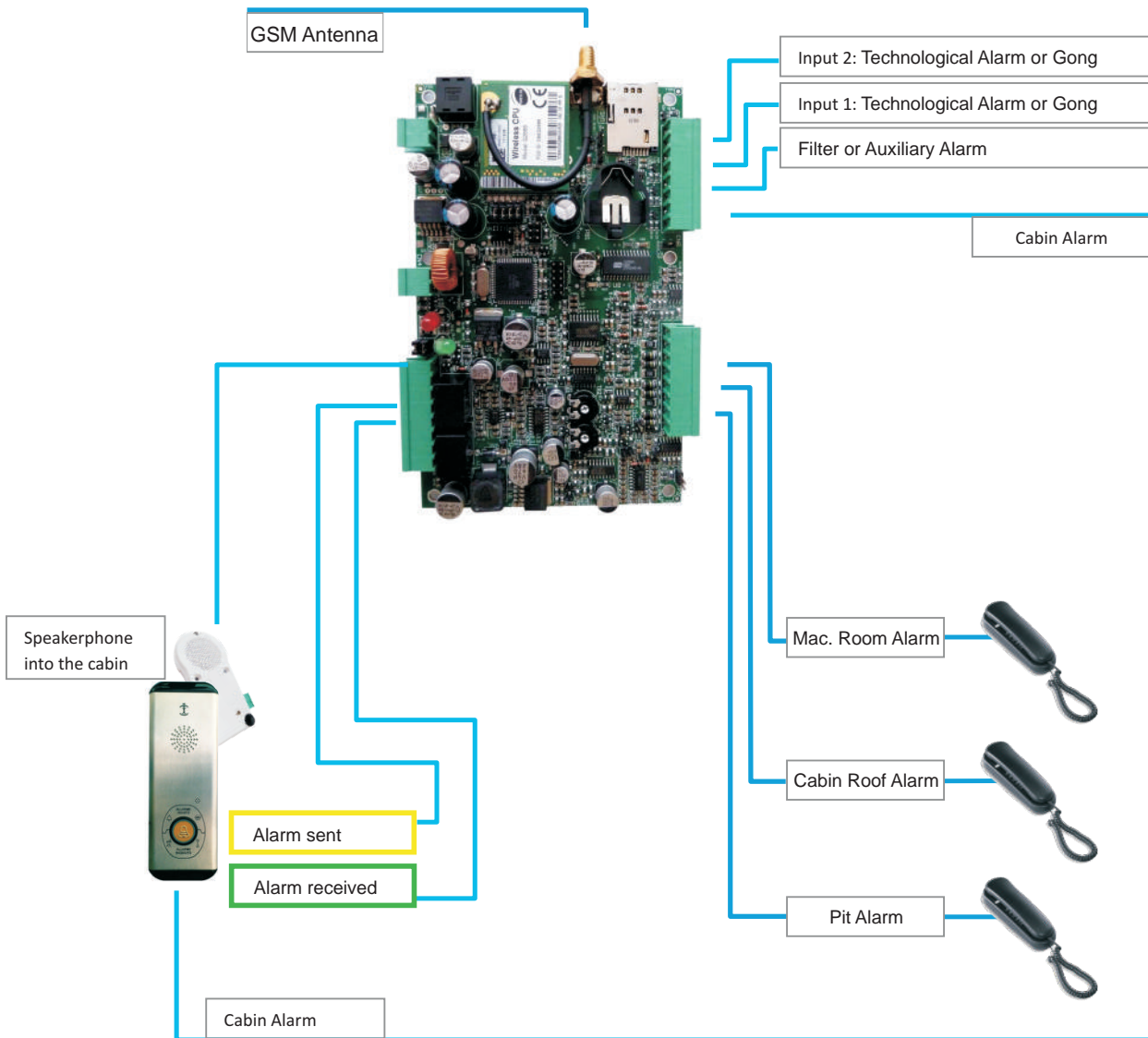


FUNCTIONS ACTIVABLE FROM THE TELEPHONES



T.gsm

Lift Emergency Telephone System with an integrated GSM module



Where to install

Power Supply

Power consumption max. (@12 Vdc)

Power consumption min. (@12 Vdc)

Relay contacts flow

GSM frequencies

Dimensions

Weight

Machine Room, On Cabin Roof or everywhere there is good GSM signal

10 ÷ 16 Vdc

300 mA

30 mA

3A @ 120 Vac / 3A @ 24 Vdc

800/900/1800/1900 MHz

165 x 184 x 35 mm

200 g

Internal clock with automatic update to daylight saving

ACCESSORIES

TLF 3301
Power Supplier



TLF 2101
Universal Speakerphone



TLF 2222
Cabin plate



TLF SW620-FM
BCA Telephone

